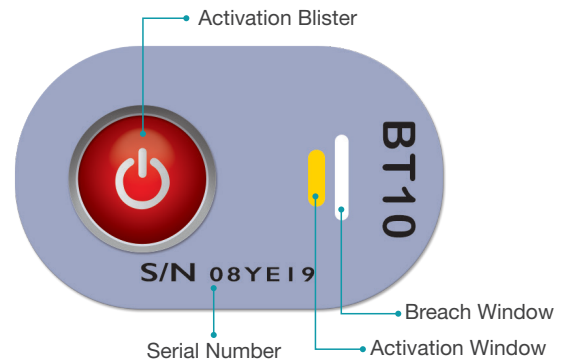


# Product Specifications

## TempDot. Plus Blood Temp 10

<b>Threshold Temperature</b>	10°C/ 50°F
<b>Temperature Accuracy</b>	± 0.5°C /1°F
<b>Chemical Indicator</b>	Blue liquid chemical encapsulated in a blister, Food Chemicals Codex, FDA approved (Title 21), GRAS (Generally Recognized As Safe)
<b>Label Material</b>	Polymeric assembly multilayer, aluminium-plastic laminate, non-toxic, latex & PVC free
<b>Label Size</b>	1.25 in x 0.75 in (32mm x 19mm)
<b>Start Button</b>	Blister ~0.1 in H ( ~2.5mm H)
<b>Activation</b>	Pressure with finger, in environment above threshold temperature
<b>Application</b>	Pressure sensitive adhesive backing. Apply to clean, dry surface.
<b>Adhesive</b>	DuploCOLL® 2353 - for reverse coating of labels employed for labeling blood bags
<b>Recommended Storage (un-activated)</b>	Ambient room temperature, cool, dark place, away from direct heat source and sunlight. Recommended 72°F(22°C) at 20-80% RH
<b>Shelf Life</b>	Pre activation: 2.5 years Post Activation: 1 year or until temperature breach is indicated
<b>Moisture Resistance</b>	Splashproof. Not suitable for immersion in water



### Model 51064

- Quality assurance for blood temperature during transportation and storage.
- Simple push-button activation
- Indicator requires no special conditioning prior to use
- Cost-effective monitoring
- Maintain quality control in blood transportation and storage
- Real-time data to make quick, safe decisions
- Peace of mind
- Irreversible proof of meeting AABB Standards and the FDA's CFR 600.15(a) for monitoring temperature of whole blood during transportation and storage
- FDA 510(k) clearance

### Application is as Easy as 1,2,3

#### 1 Push the Button



Firmly squeeze the activation button until you feel a pop, then release.

#### 2 Verify Activation



Arming window will change from yellow to dark green immediately. Dark green means activated. If not, go back to Step 1.

#### 3 Apply to Blood Bag



Remove adhesive liner and adhere activated indicator to the lower third of blood bag.



100% Recyclable Packaging

[www.cool-direct.com](http://www.cool-direct.com)

All enquiries please contact us at: [info@cool-direct.com](mailto:info@cool-direct.com)